

## ***ADP2560 BA – Battery driven portable dot peen marker***

***25x60mm | 1x2,3" marking area***



- ***Fast, powerful and accurate battery driven machine***
- ***Compact and lightweight unit for portable applications***
- ***TTF, 2D code, strings and logos***
- ***Infinite storable marking programs***

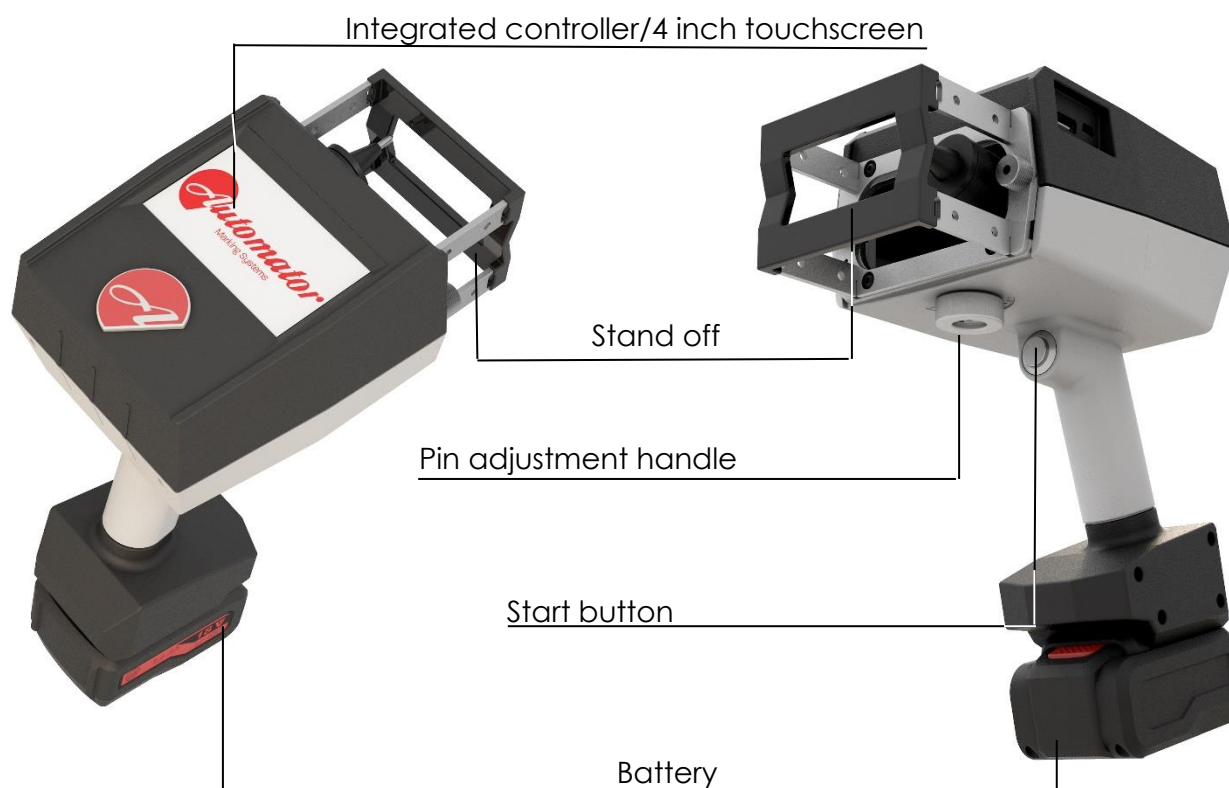
### ***The system***

The **ADP2560 BA** is a compact and lightweight battery driven portable unit capable of permanently marking various materials, such as metals, aluminium, iron, cast iron, plastics, etc. The characteristics of the text or image to be marked are easily set by software, such as the height and width of the type, the position in the marking area, the working parameters, etc. ... . A couple of X and Y axes, powered by a motor, determine the movement of the marking pin and the depth of marking in the area to be marked.

### ***The system consists of:***

- Marking head with pin, battery and controller with an integrated 4 inch touchscreen
- Set of standoffs to facilitate marking operations
- Set of two 18V batteries

## The system



## Working modes

**Controlled pin** - The supplied software allows the marking of characters, where the pin moves for each point of the head. Thanks to a specific operating parameter, it is possible to specify the density of the points to be marked, usually expressed in points/cm. The "controlled dot" mode is recommended for high quality and definition marking.

## Marking head

The supplied software allows the marking of characters, where the pin moves for each point of the head. Thanks to a specific operating parameter, it is possible to specify the density of the points to be marked, usually expressed in points/cm. The "controlled dot" mode is recommended for high quality and definition marking.

## Marking head - Battery

The machine is equipped with a pair of 18V batteries, which guarantee excellent working autonomy. Each battery is easily installable and removable and can be fully recharged in a hour and a half. The battery charger is included.

**ADP 2560 BA – Don peen marker**
**Marking head – Technical data**

<b>Overall dimensions: LxWxH (mm   inch):</b>	136x266x304 / 5.35x10.47x11.97
<b>Weight (kg   lb):</b>	3 / 6.61
<b>Marking area (mm   inch):</b>	25x60 / 0.98x2.36
<b>Battery (V):</b>	18
<b>Working hours:</b>	1 hour to 1 day, based on usage
<b>Recharging time (h):</b>	1,5
<b>Working temperature (°C - °F):</b>	0 to 50 / 32 to 122
<b>Storage temperature (°C - °F):</b>	-10 to 59 / 14 to 138
<b>Umidity (%):</b>	10 to 75
<b>Impact force:</b>	adjustable 1 to 9 levels
<b>Power (W):</b>	100
<b>Pin (mm):</b>	Ø4 - L=60
<b>Touchscreen dimensions (mm / in)</b>	95x55 / 4

**Marking head - Marking speed**

Speed depends on various factors, such as type height, depth, dot density, desired quality, etc. ... . The system can mark 1 to 3 types per second, depending by the kind of surface and marking depth.

**Marking head - Life of the pin**

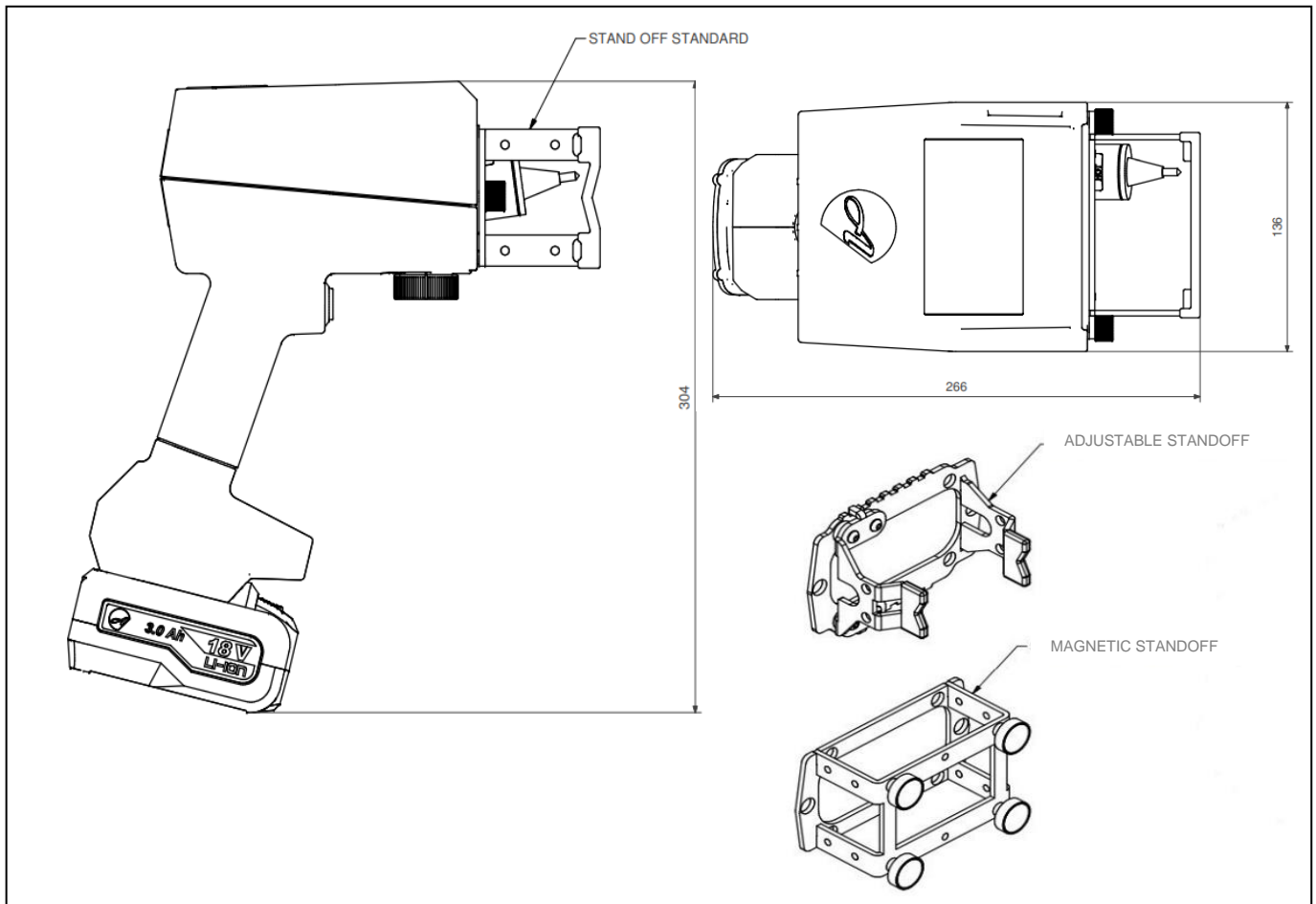
The average life of a pin can depend on innumerable factors, such as the material of the piece to be marked and the depth. Generally, with a 47 Rockwell hardness and a minimum depth of 0.127 mm, the pin can make about 9,000,000 points before being re-sharpened.

**Marking head - Noise**

When the system is set to 50% of the maximum permitted level, the noise level reaches 74.6 dB (using the "time weighted average PPROACH" measurement system which is based on an exposure of approximately 8 consecutive hours). The measured noise level refers to tests conducted under controlled conditions very similar to normal machine operation. Conditions such as the type of surface to be marked, the shape, material and stiffness of the workbench can alter the measured values.

**Marking head - Vibrations**

The arm-hand vibration measurement tests are carried out in controlled conditions very similar to the normal working conditions of the machine. The results are shown below: marking on a steel surface 3mm drill MB 0.4m/s T(eav) >24H T(elv) >24H 6mm drill MB 0.8m/s T(eav) >24H T(elv) >24H. Aluminum surface: 3mm drill MB 0,6m/s T(eav) >24H T(elv) >24H 6mm drill MB 1,2m/s T(eav) >24H T(elv) >24H. Conditions such as the type of surface to be marked, the shape, material and stiffness of the workbench can alter the measured values.

**ADP2560 BA – Dot peen marker**
**Marking head – Technical drawings**

**Marking head – Available pins**

Controlled pin	4 mm
Cartuccia punto vibrato	4 mm con molla

 **Software**

Software with an intuitive and flexible interface, it allows graphic freedom of absolute value. This software gathers all the needs of more than 20 years of experience in the dot marking sector. Thanks to the touch screen graphic display, you can navigate easily and just as easily create the messages to mark and set the related parameters, also displaying the operation time.

The preview allows you to depict exactly what will be marked and any variation of the message can be instantly viewed. The software provides for the creation of messages with the date in various formats, fixed or variable texts, codes, serial numbers, Datamatrix and logos. It is also possible to create programs on a PC, which can be easily transferred to the Controller with a USB stick or via the USB connection.