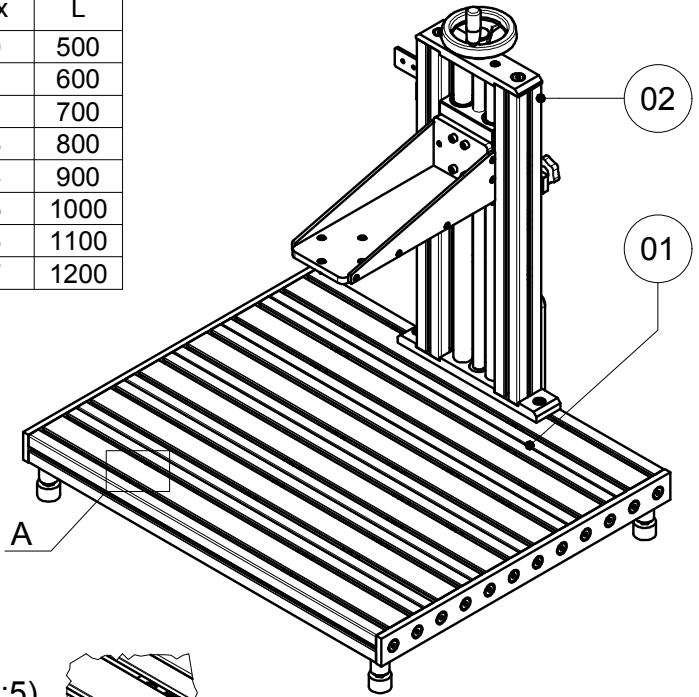
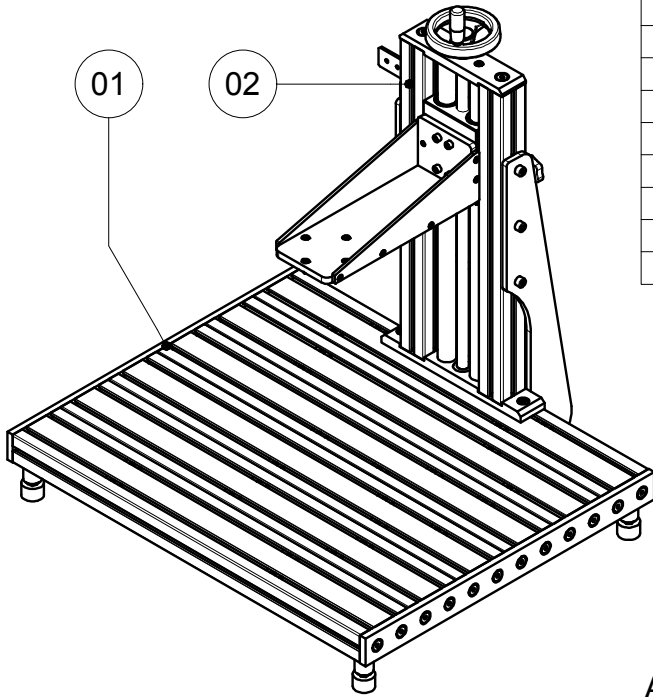


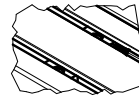
CODE 80103000028/xx *

CODE 80103000035/xx *
(WITHOUT REINFORCEMENT)

* xx	L
00	500
01	600
02	700
03	800
04	900
05	1000
06	1100
07	1200

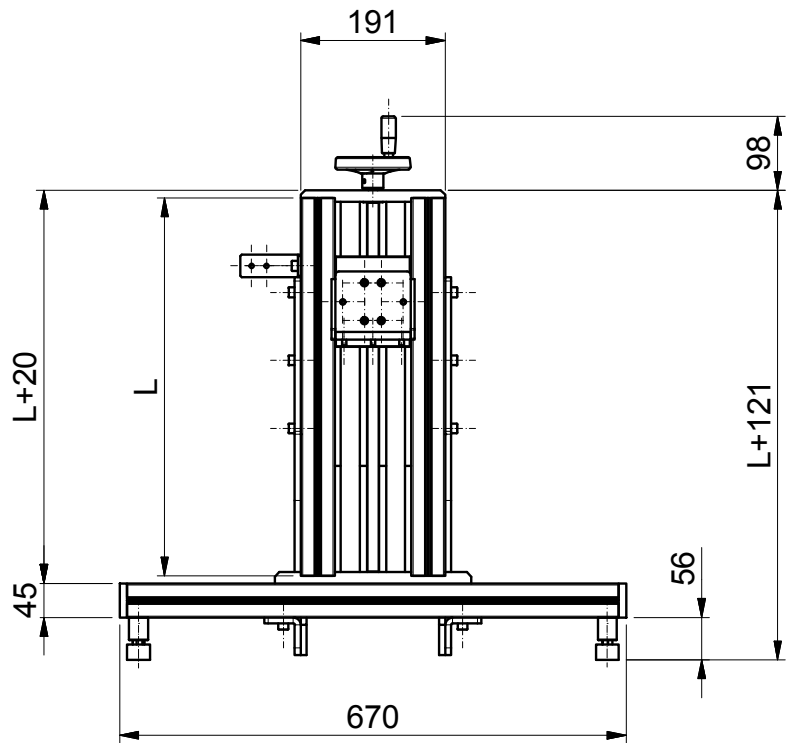
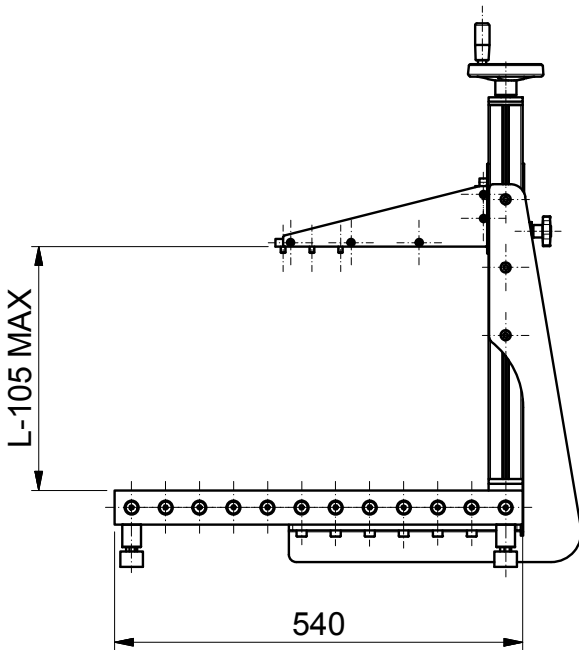


A (1:5)



THREADED BLOCK M8

RIF	CODE	DESCRIPTION
01	80103000027	BASE
02	80103000026/xx *	COLUMN



INGOMBRO BASE COLONNA
OVERALL DIMENSIONS BASE AND COLUMN

AUTOMATOR INTERNATIONAL
MARKING SYSTEM

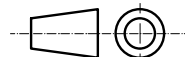


VIA MEUCCI 8 - CORSICO (MI) 20094
TEL. 02/48601445 FAX 02/48601503

00	ISSUE	29/10/12	M.G.	V.R.
REV.	DESCRIPTION OF MODIFICATION	DATE	DISEG.	APPR.

DRW NUMBER	REV.
60101000011	00
SCALE 1:10	SHEET 1 OF 1
A4	

THIS DRAWING IS OUR PROPERTY AND MUST NOT BE SHOWN TO THIRD PERSON UNLESS
IN ITS ORIGINAL FORM AUTOMATOR INTERNATIONAL RESERVES THE RIGHT TO
MAKE CHANGES WITHOUT NOTICE



A

B

C

D