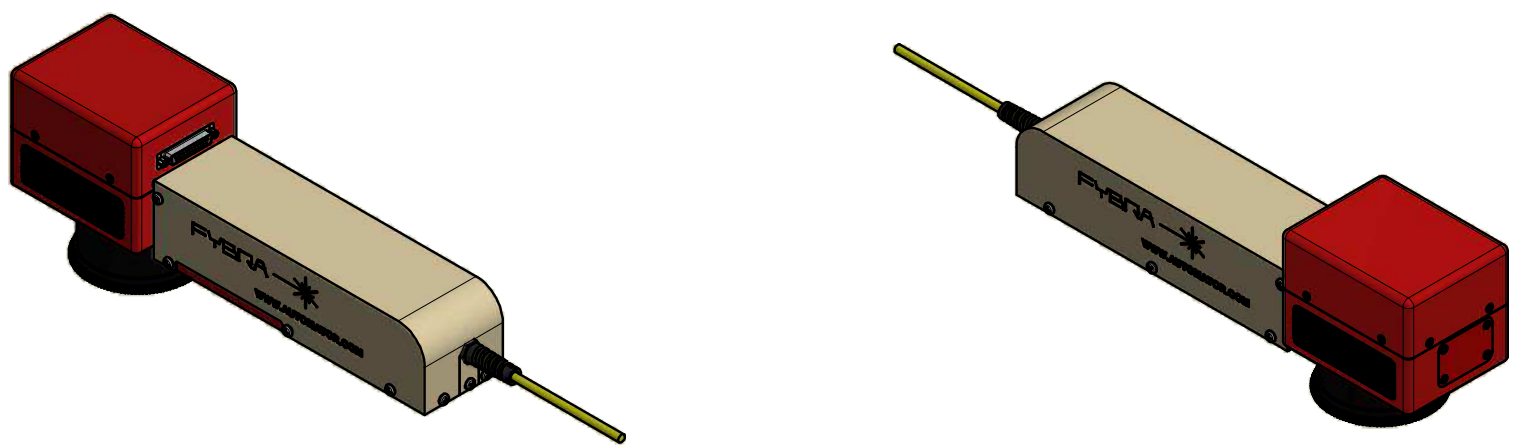
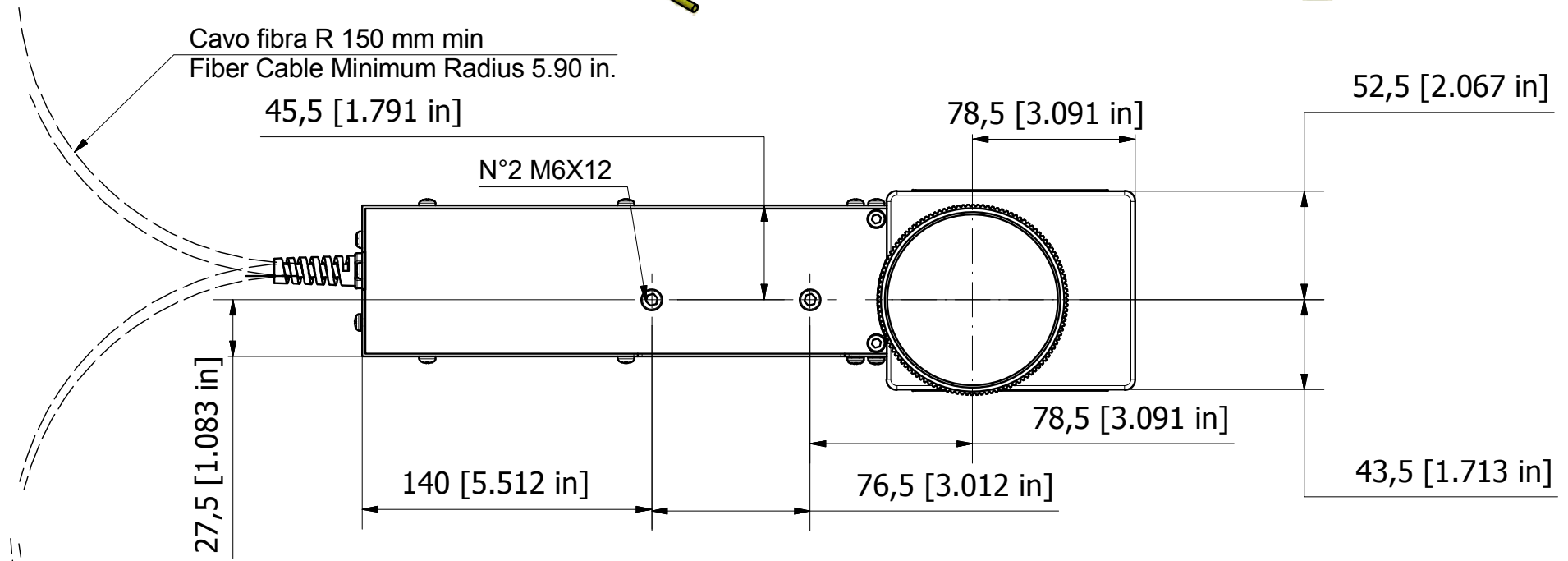


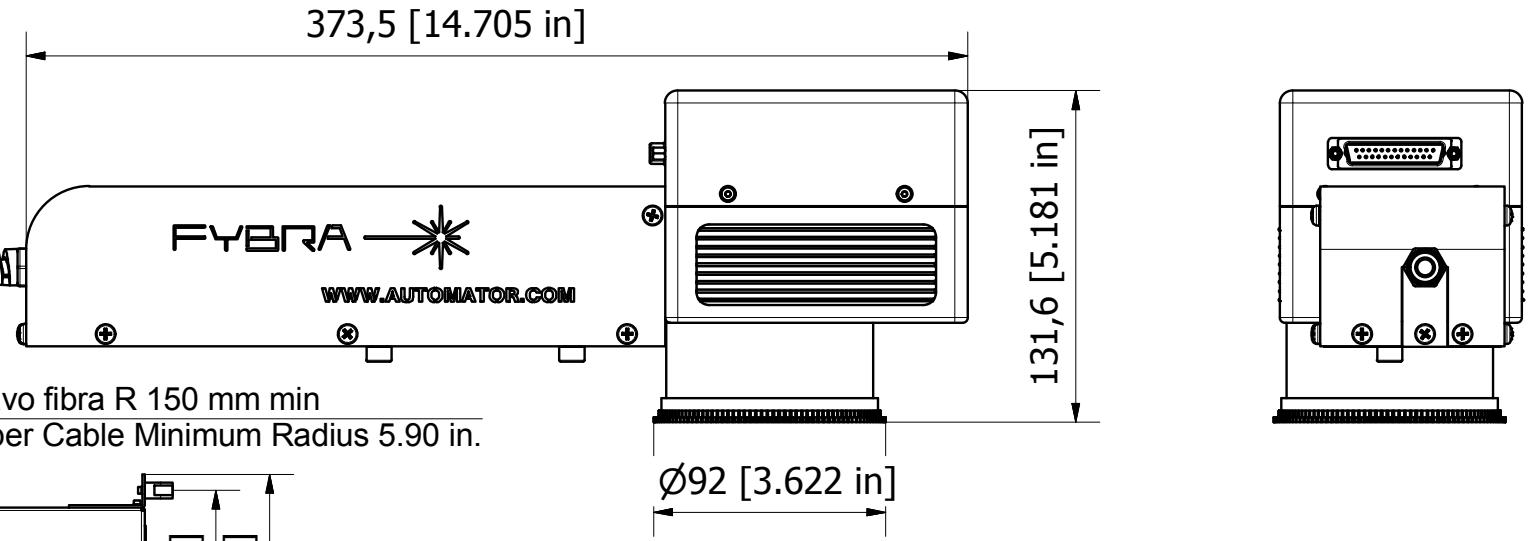
A B C D E F



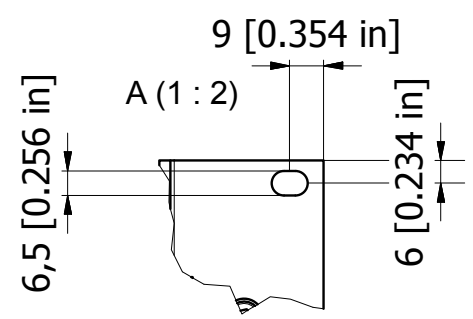
Cavo fibra R 150 mm min  
Fiber Cable Minimum Radius 5.90 in.  
45,5 [1.791 in]



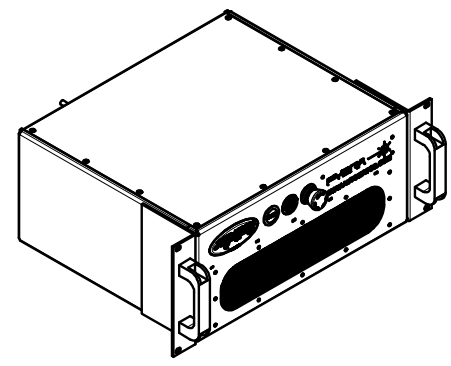
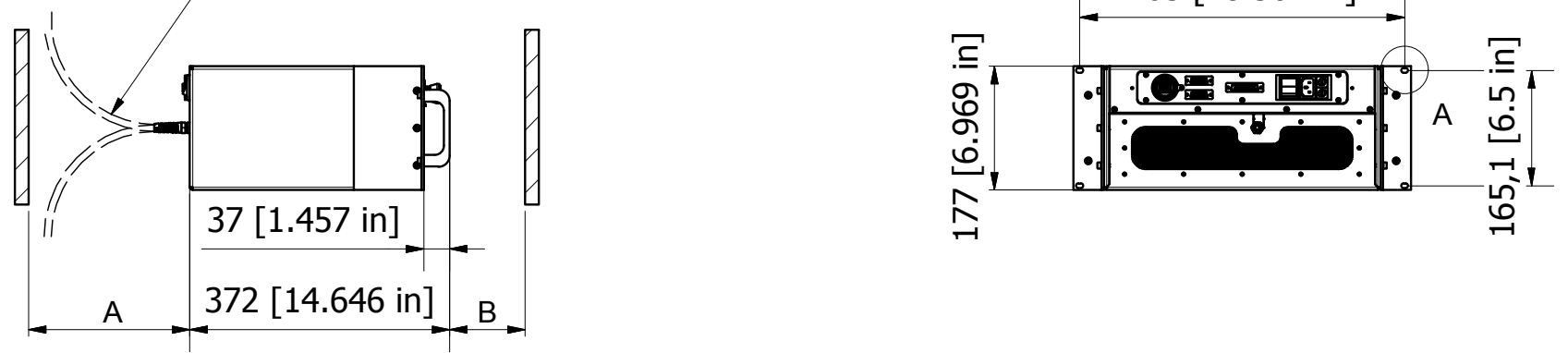
Cavo fibra R 150 mm min  
Fiber Cable Minimum Radius 5.90 in.



DATA	VALUE
A	200
B	150



Cavo fibra R 150 mm min  
Fiber Cable Minimum Radius 5.90 in.



INGOMBRO FYBRA 22W - 33W  
OVERALL DIMENSIONS FYBRA 22W - 33W

REV.	DESCRIPTION OF MODIFICATION	DATE	DISEG.	V.R.	V.R.
00	ISSUE	16/09/16			

THIS DRAWING IS OUR PROPERTY AND MUST NOT BE SHOWN TO THIRD PERSON UNLESS IN ITS ORIGINAL FORM AUTOMATOR INTERNATIONAL RESERVES THE RIGHT TO MAKE CHANGES WITHOUT NOTICE



VIA MEUCCI 8 - CORSICO (MI) 20094  
TEL. 02/48601445 FAX 02/48601503

DRW NUMBER  
**60101000048**  
SCALE 1:5 SHEET 1 OF 1

REV.  
**00**  
A3

A B C D E F